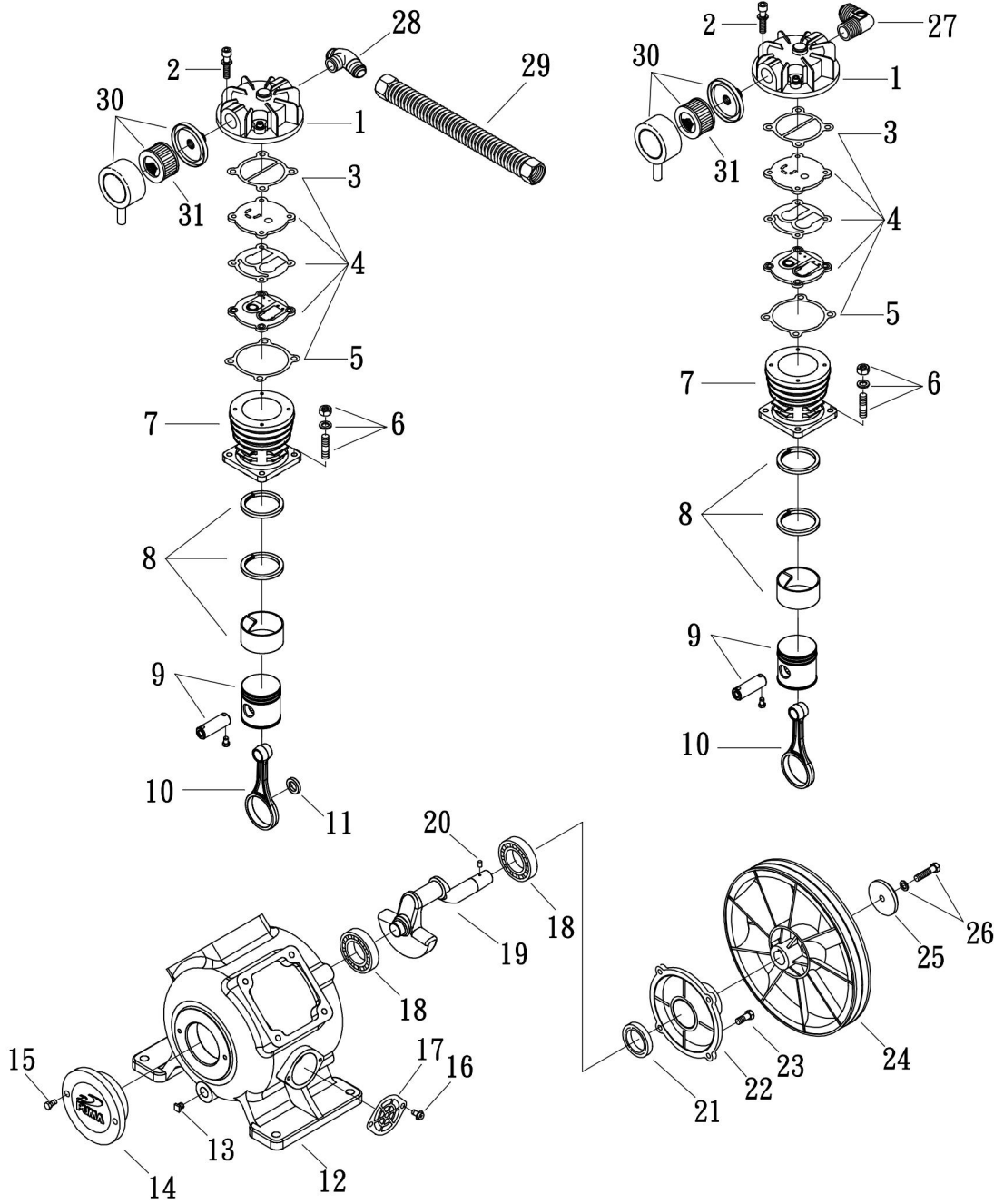


MODEL : BF2



SPARE PARTS LIST

NO : MP-1910

REF. NO.	DESCRIPTION	PART NO.	QTY.	REF. NO.	DESCRIPTION	PART NO.	QTY.
1	Cylinder head	3101084A	2	17	Breather cover	2321010	1
2	Allen bolt set	3B01-M06*040V	8	18	Bearing	2N35-6205LLU	2
3	Cylinder head gasket	2G01-015C	2	19	Crankshaft & balancer	3304110	1
4	Inlet&Exhaust valve assembly	3B13-AC0765Y	2	20	Pulley key	2N47-63*09	1
5	Valve seat gasket	2G03-010H	2	21	Oil seal	2N50-TC24*47*07	1
6	Double head screw	3B11-001-A	8	22	Rear bearing seat	3311041	1
7	Cylinder	3201096	2	23	Hexagon bolt	2B00-SM08*025	4
8	Piston ring set	3B32-BF2065	2	24	Pulley	3PBF-125A124	1
9	Piston set	3B31-BF2065	2	25	Plate washer	2B30-08*35*35	1
10	Rod set	3B33-BF20	2	26	Hexagon bolt	3B00-SM08*035AV	1
11	Bushing	3156102	1	27	Exhaust elbow	2N06-04T04HC	1
12	Crankcase	3301143	1	28	Exhaust three way pipe	2N09-04H04T04H1C	1
13	Oil draining plug	2N33-002	1	29	Exhaust tube set	3B2-04*290	1
14	Front cover	3309050A	1	30	Air filter	2140038	2
15	Hexagon bolt	2B00-SM06*020	2	31	Filter element	2142021	2
16	Hexagon bolt	2B02-FM5*010WB	2				